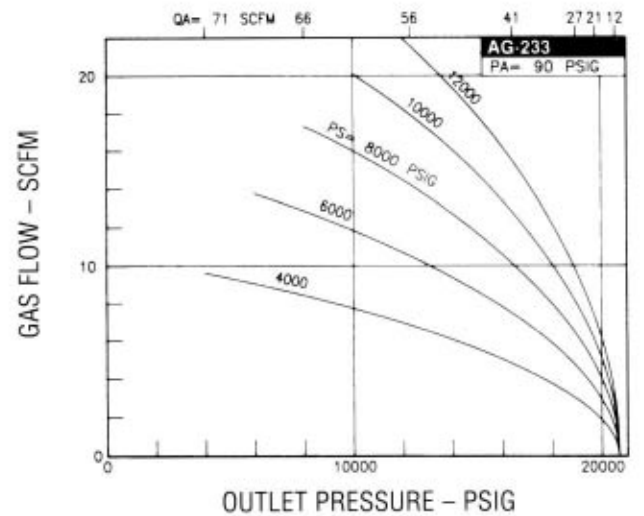
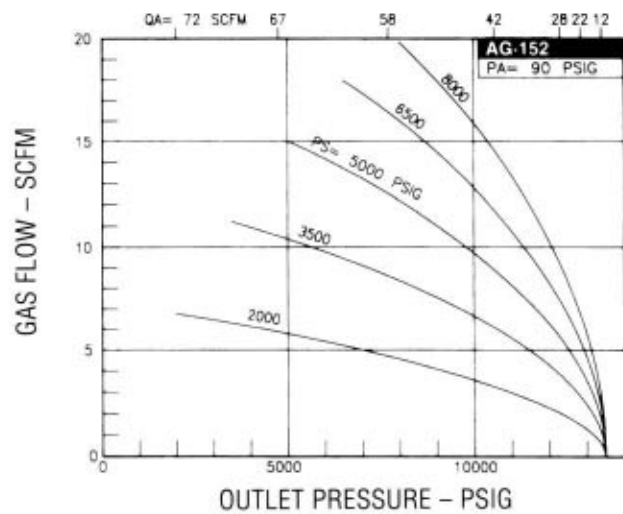
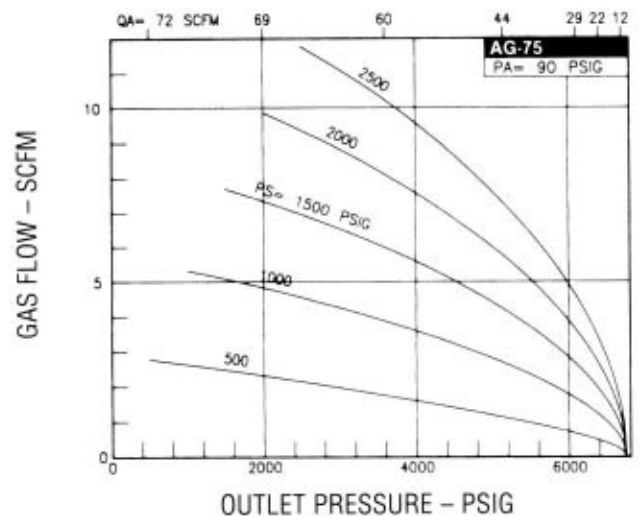
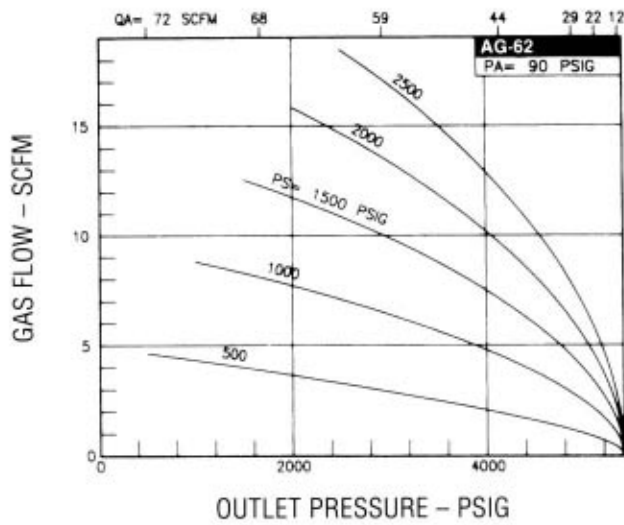
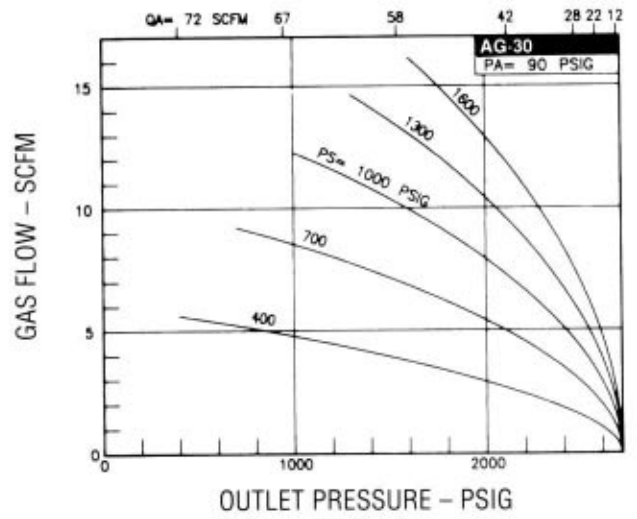
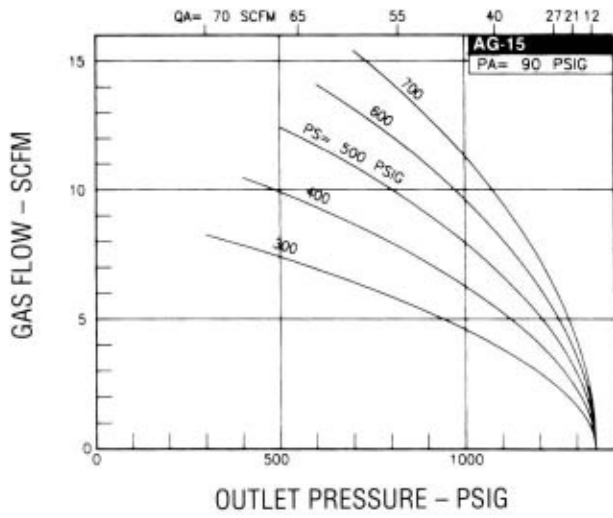
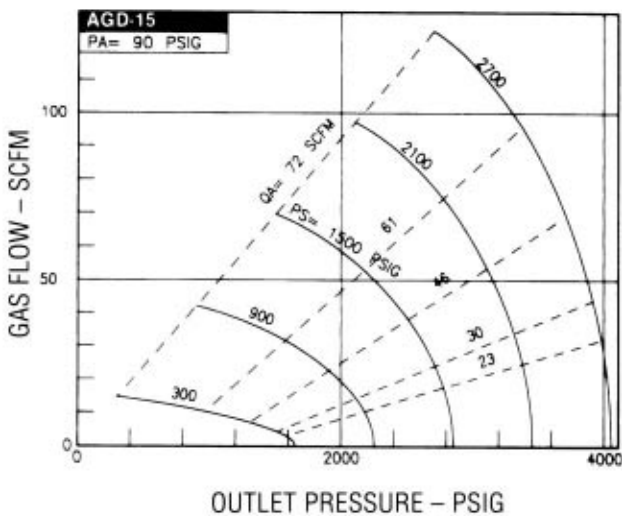
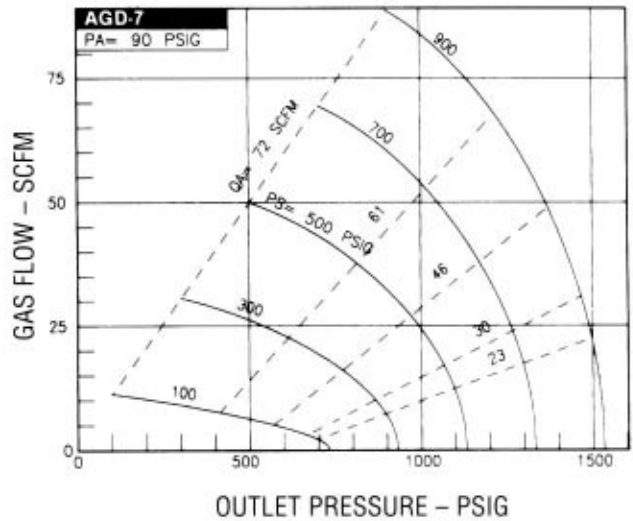
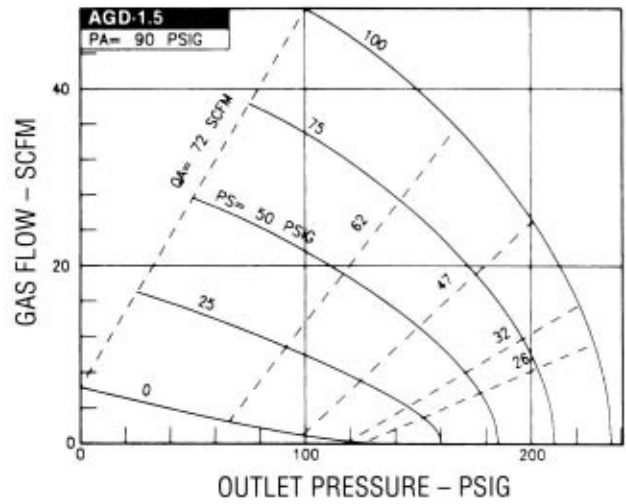
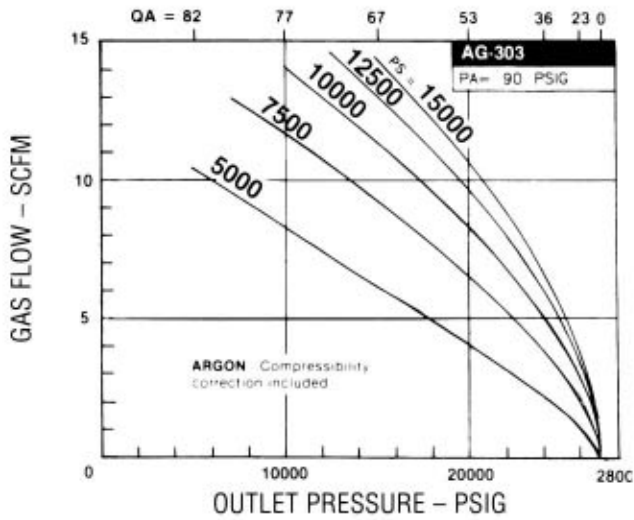


PERFORMANCE CURVES — AG SERIES



PERFORMANCE CURVES — AG SERIES / AGD SERIES

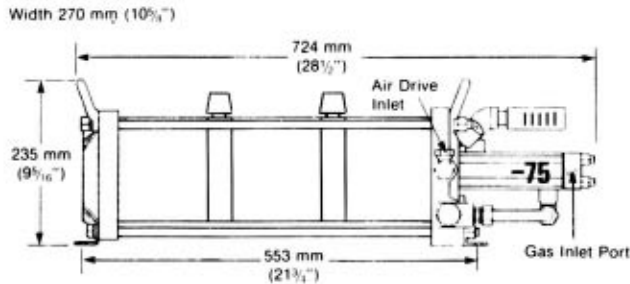
AGD — SERIES



WEIGHT and DIMENSIONAL INFORMATION

Single acting, single stage, triple air head AG-233

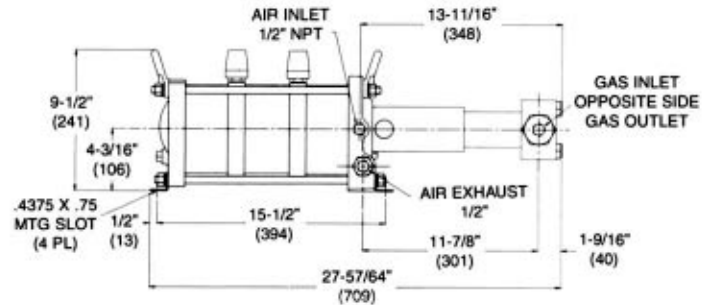
Net weight 18 Kg
Boxed weight 22 Kg
Box dimensions 80 x 42 x 49 cm



Inlet Gas Port: Interchangeable 3/8" SAE or 1/4" Superpressure
Outlet Gas Port: 1/4" Superpressure

Single acting, single stage, triple air head AG-303

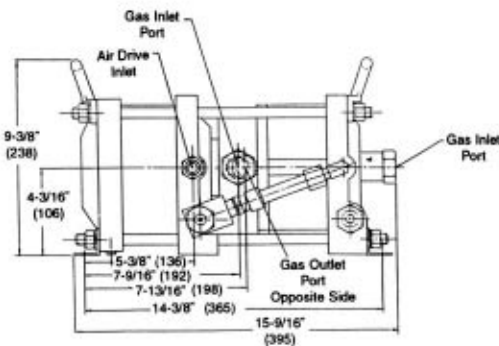
Net weight 20 Kg
Boxed weight 24 Kg
Box dimensions 80 x 42 x 49 cm



Inlet/Outlet Gas Ports 1/4" Superpressure

Double acting, single stage, single air head AGD-1.5

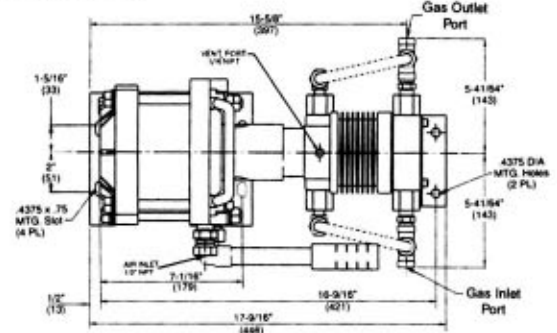
Net weight 14 Kg
Boxed weight 18 Kg
Box dimensions 67 x 41 x 50 cm



Inlet Gas Port: 1" NPT
Outlet Gas Port: 3/4" NPT

Double acting, single stage, single air head AGD-4 (Typ. AGT-4 also)

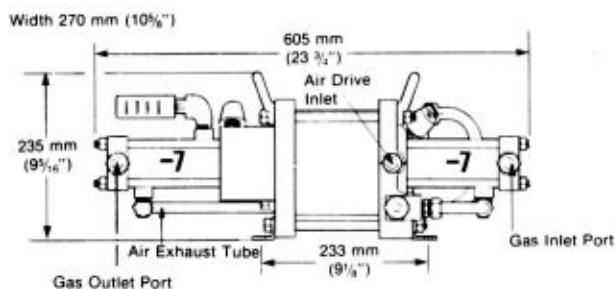
Net weight 14 Kg
Boxed weight 18 Kg
Box dimensions 67 x 41 x 50 cm



Inlet Gas Port: 3/8" NPT
Outlet Gas Port: 3/8" NPT

Double acting, single stage, single air head AGD-7

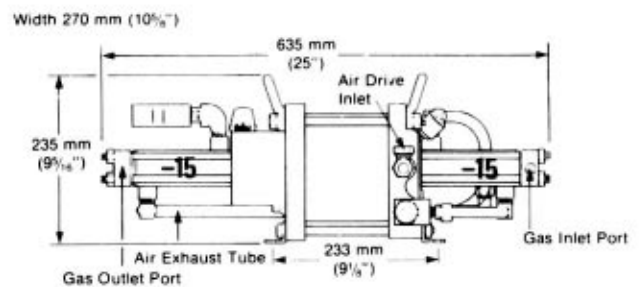
Net weight 16 Kg
Boxed weight 19 Kg
Box dimensions 66 x 42 x 49 cm



Inlet Gas Port: 3/8" NPT (2 ea.)
Outlet Gas Port: 3/8" NPT (2 ea.)

Double acting, single stage, single air head AGD-15

Net weight 16 Kg
Boxed weight 18 Kg
Box dimensions 67 x 41 x 50 cm



Inlet/Outlet Gas Ports: Interchangeable 3/8" SAE or 1/4" Superpressure (2 ea. Inlet and Outlet)