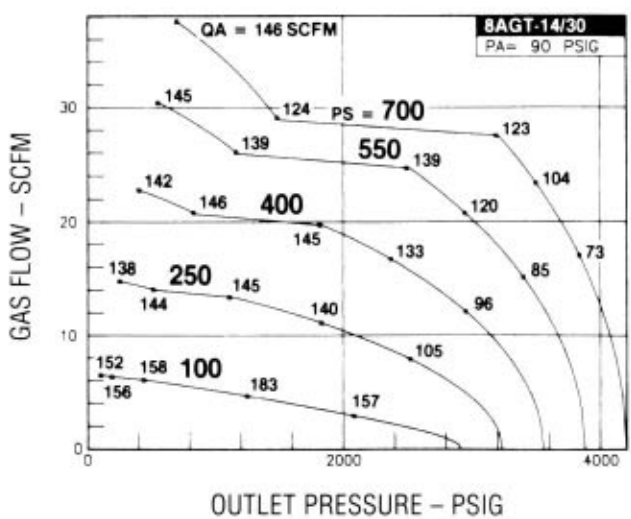
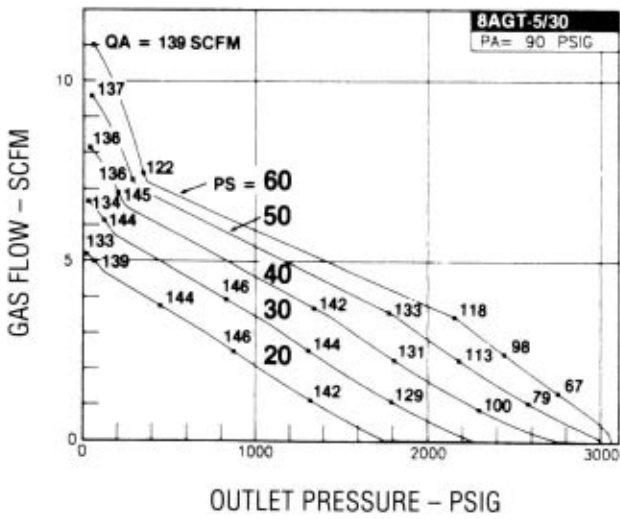
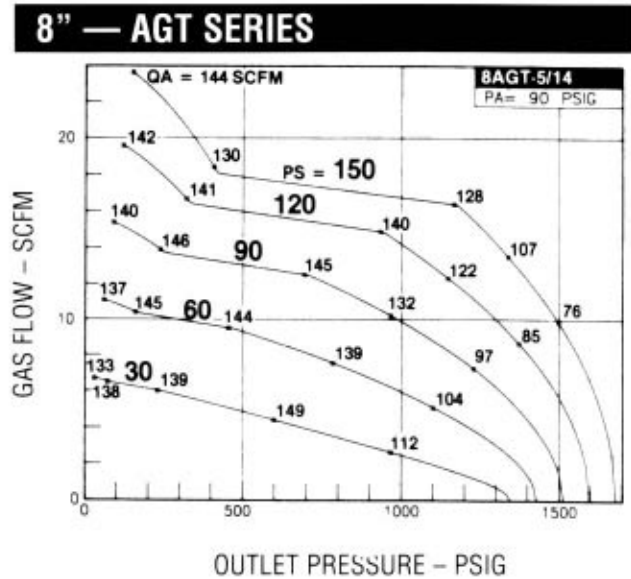
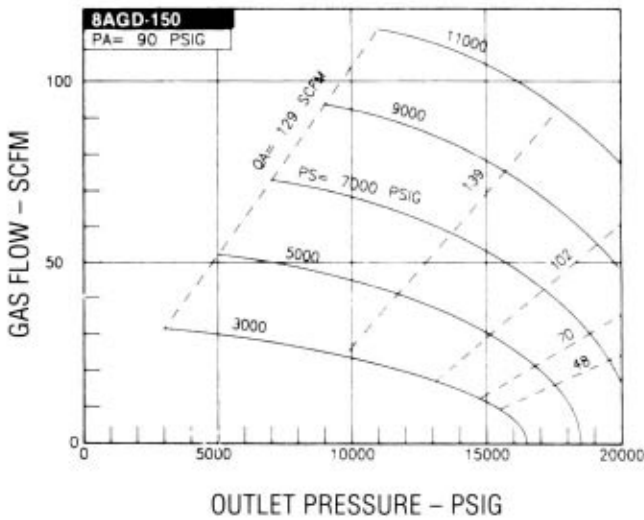
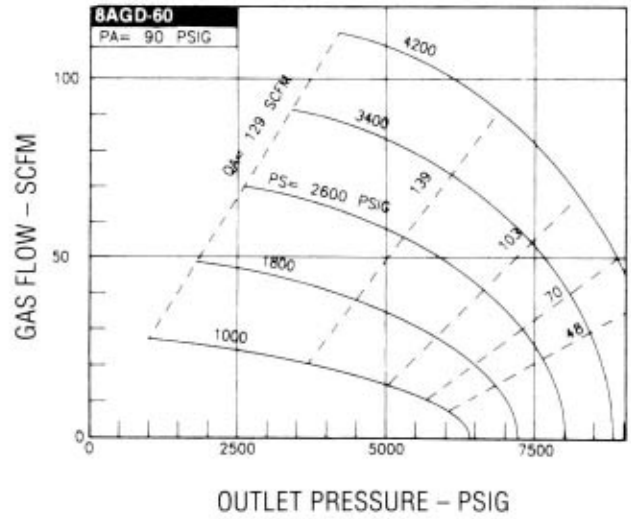
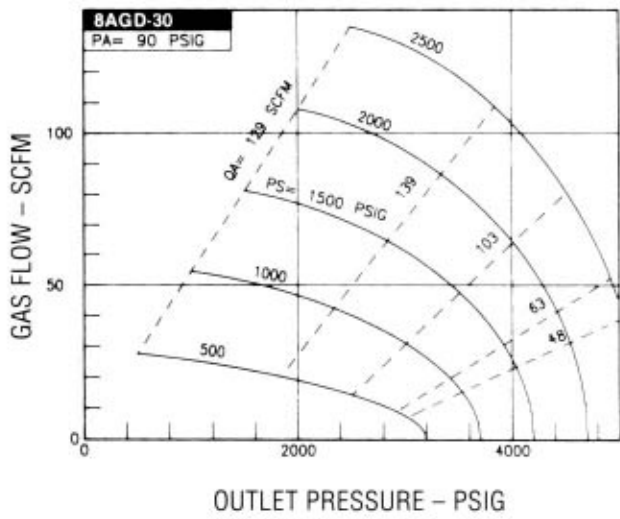
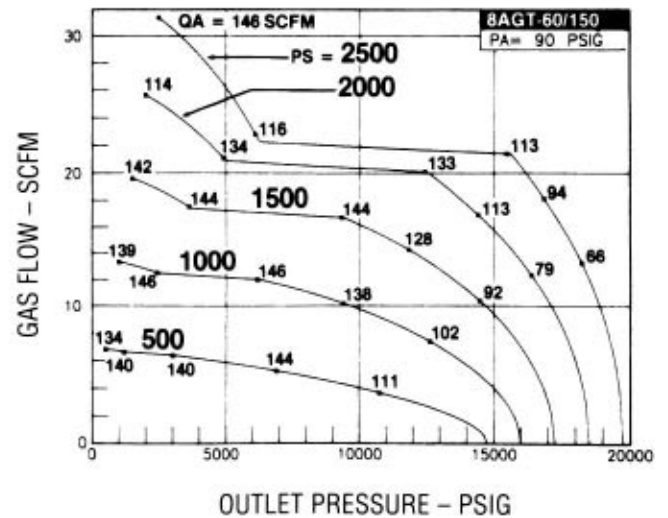
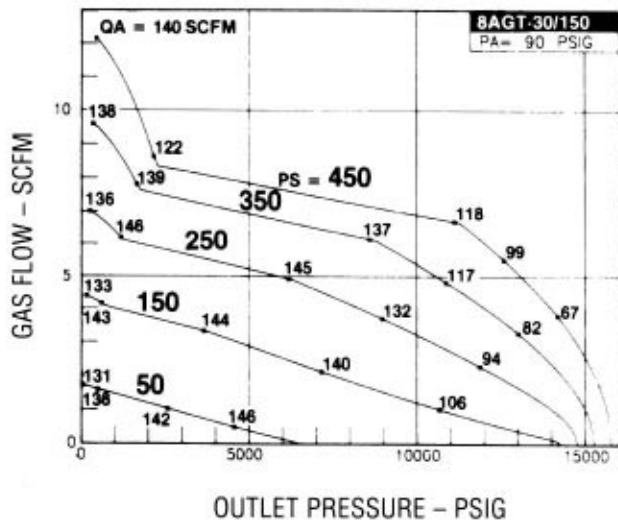
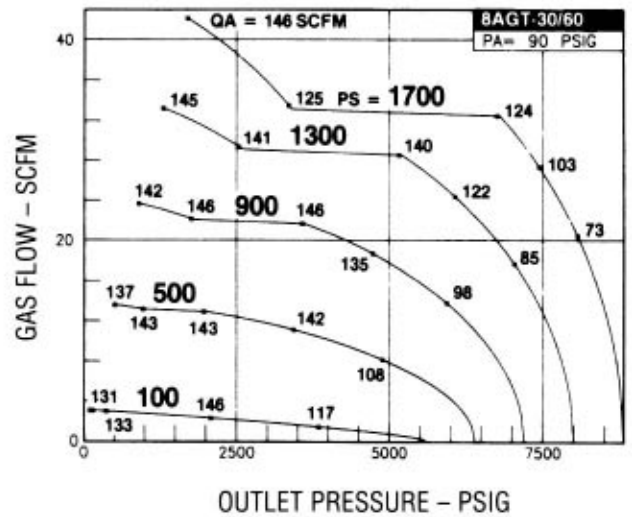
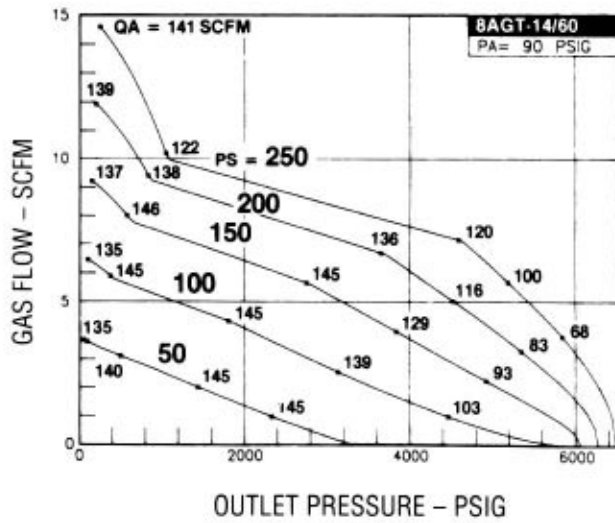


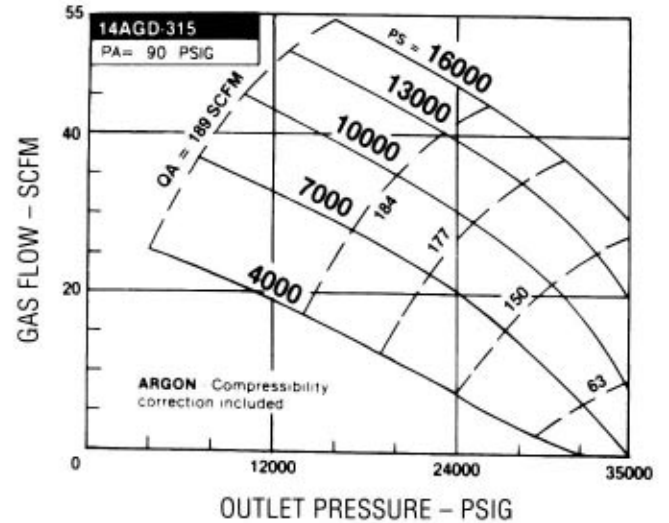
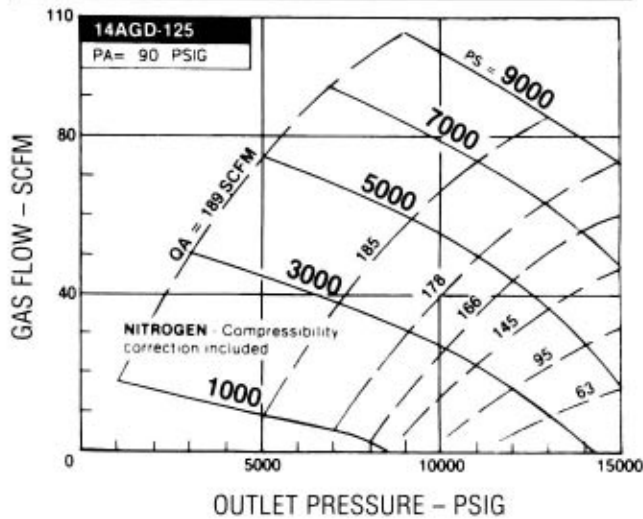
PERFORMANCE CURVES — 8" AGD SERIES / 8" AGT SERIES



PERFORMANCE CURVES — 8" AGT SERIES / 14" AGD SERIES



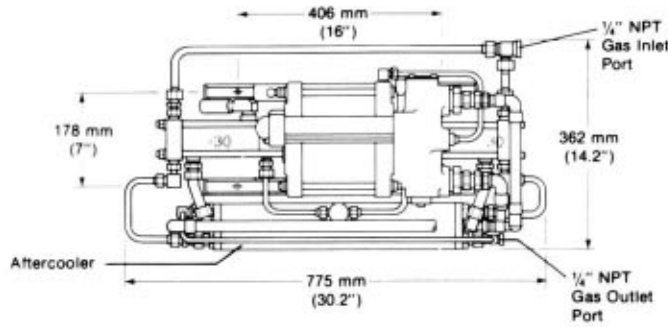
14" — AGD SERIES



WEIGHT and DIMENSIONAL INFORMATION

**Double acting, single stage,
single air head 8AGD-30**

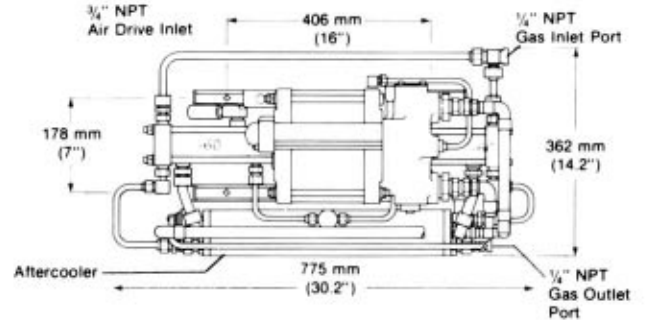
Net weight 54.5 Kg
Boxed weight 61.5 Kg
Box dimensions 91.5 x 51 x 40 cm



Inlet Gas Port: 1/4" NPT
Outlet Gas Port: 1/4" NPT

**Double acting, single stage,
single air head 8AGD-60**

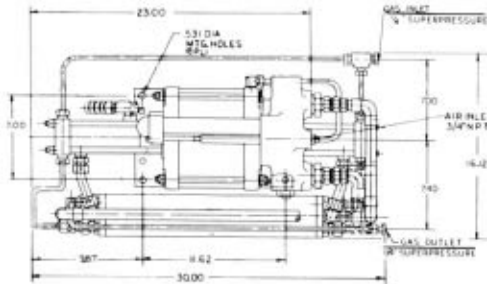
Net weight 54.5 Kg
Boxed weight 61.5 Kg
Box dimensions 91.5 x 51 x 40 cm



Inlet Gas Port: 1/4" NPT
Outlet Gas Port: 1/4" Superpressure

**Double acting, single stage,
single air head 8AGD-150**

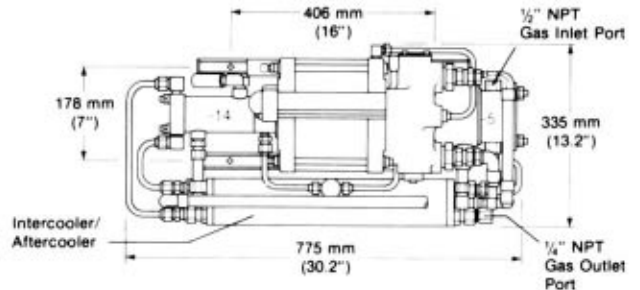
Net weight 54.5 Kg
Boxed weight 61.5 Kg
Box dimensions 91.5 x 51 x 40 cm



Inlet/Outlet Gas Ports: 1/4" Superpressure

**Double acting, two stage,
single air head 8AGT-5/14**

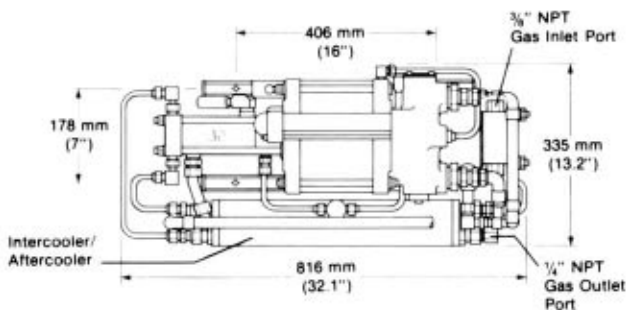
Net weight 54.5 Kg
Boxed weight 61.5 Kg
Box dimensions 91.5 x 51 x 40 cm



Inlet Gas Port: 1/2" NPT
Outlet Gas Port: 1/4" NPT

**Double acting, two stage,
single air head 8AGT-5/30**

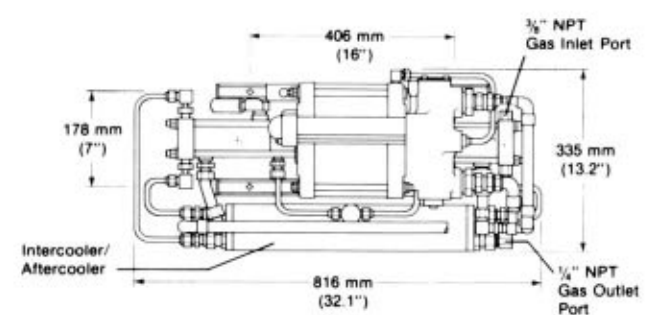
Net weight 54.5 Kg
Boxed weight 61.5 Kg
Box dimensions 91.5 x 51 x 40 cm



Inlet Gas Port: 3/8" NPT
Outlet Gas Port: 1/4" NPT

**Double acting, two stage,
single air head 8AGT-14/30**

Net weight 54.5 Kg
Boxed weight 61.5 Kg
Box dimensions 91.5 x 51 x 40 cm

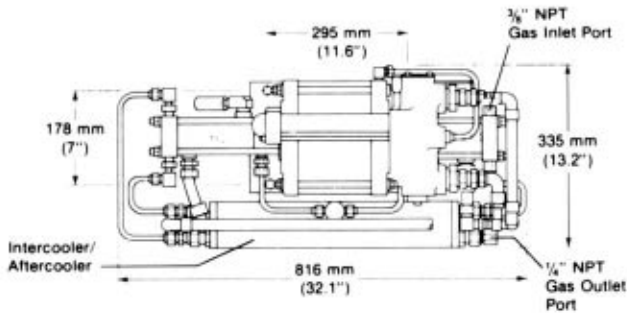


Inlet Gas Port: 3/8" NPT
Outlet Gas Port: 1/4" NPT

WEIGHT and DIMENSIONAL INFORMATION

**Double acting, two stage,
single air head 8AGT-14/60**

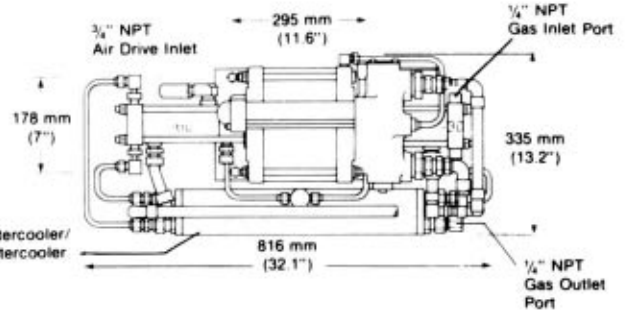
Net weight 54.5 Kg
Boxed weight 61.5 Kg
Box dimensions 91.5 x 51 x 40 cm



Inlet Gas Port: 3/8" NPT
Outlet Gas Port: 1/4" Superpressure

**Double acting, two stage,
single air head 8AGT-30/60**

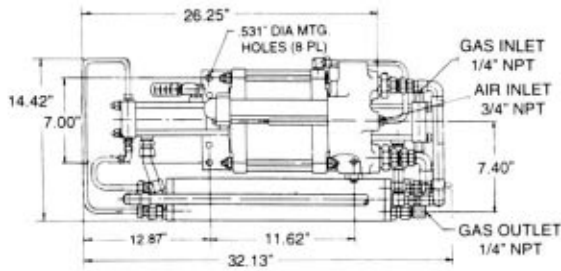
Net weight 54.5 Kg
Boxed weight 61.5 Kg
Box dimensions 91.5 x 51 x 40 cm



Inlet Gas Port: 1/4" NPT
Outlet Gas Port: 1/4" Superpressure

**Double acting, two stage,
single air head 8AGT-30/150**

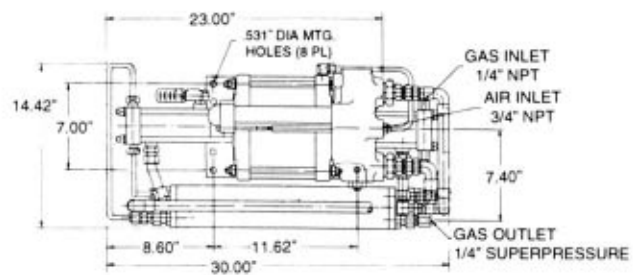
Net weight 54.5 Kg
Boxed weight 61.5 Kg
Box dimensions 91.5 x 51 x 40 cm



Inlet Gas Port: 1/4" NPT
Outlet Gas Port: 1/4" Superpressure

**Double acting, two stage,
single air head 8AGT-60/150**

Net weight 54.5 Kg
Boxed weight 61.5 Kg
Box dimensions 91.5 x 51 x 40 cm

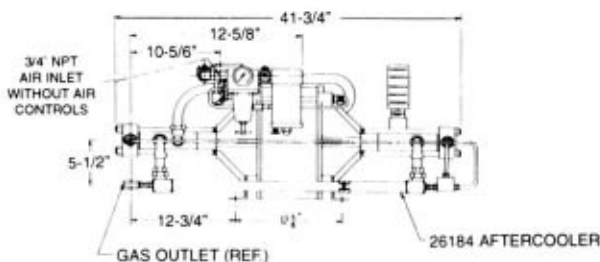


Inlet Gas Port: 1/4" NPT
Outlet Gas Port: 1/4" Superpressure

14" SERIES GAS BOOSTERS

**Double acting, single stage,
single air head 14AGD-125/315**

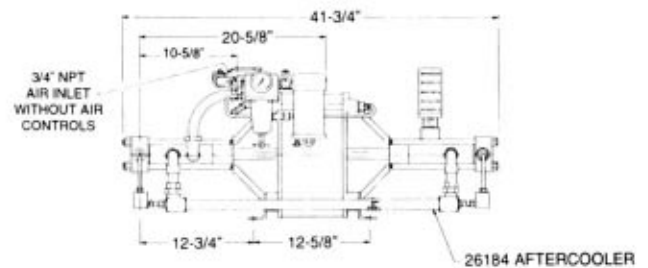
Net weight 70 Kg
Boxed weight 90 Kg
Box dimensions 120 x 86 x 70 cm



Inlet/Outlet Gas Ports: 3/8" Superpressure

**Double acting, two stage,
single air head 14AGT-125/315**

Net weight 70 Kg
Boxed weight 90 Kg
Box dimensions 120 x 86 x 70 cm



Inlet/Outlet Gas Ports: 3/8" Superpressure