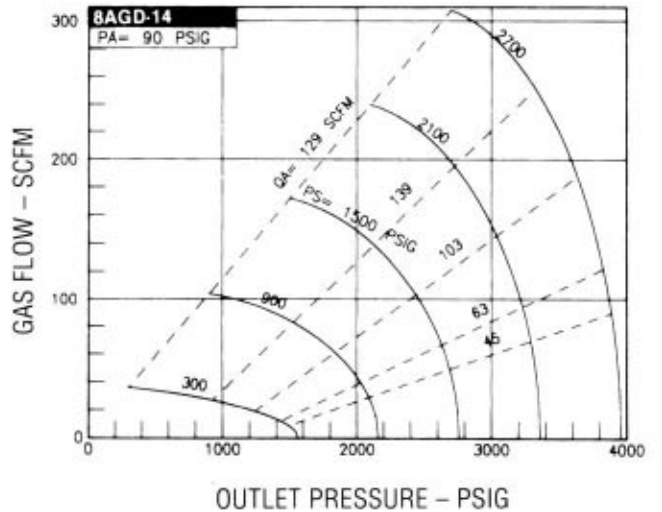
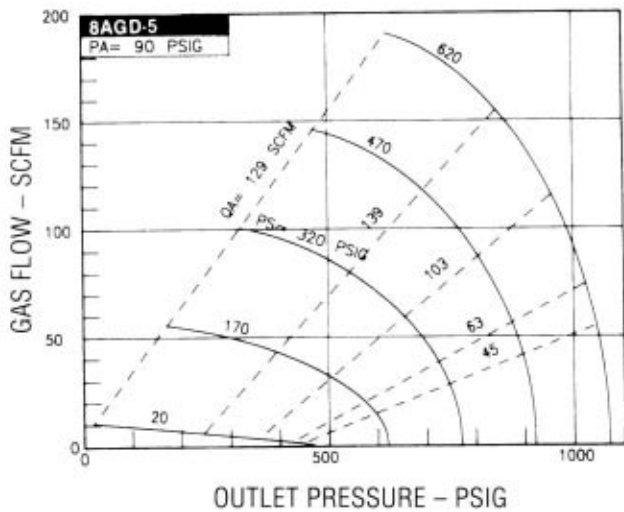
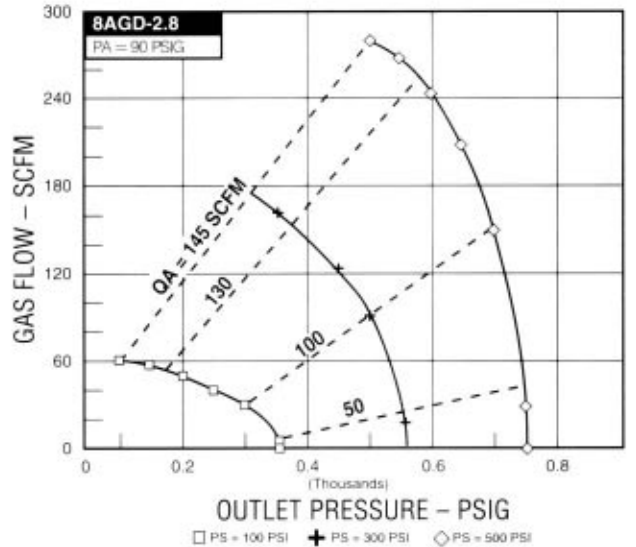
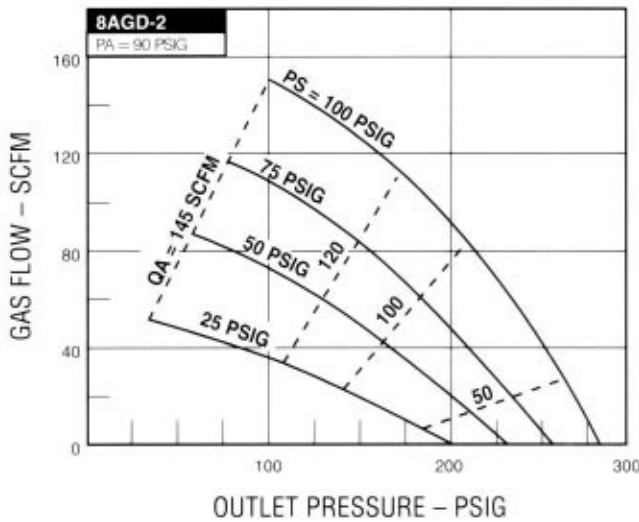
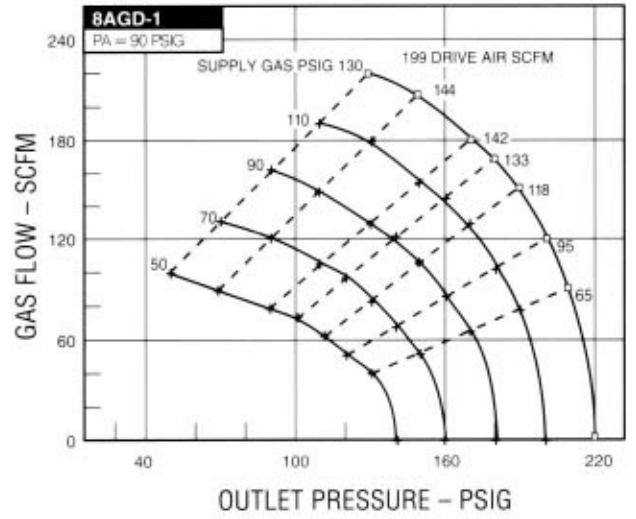
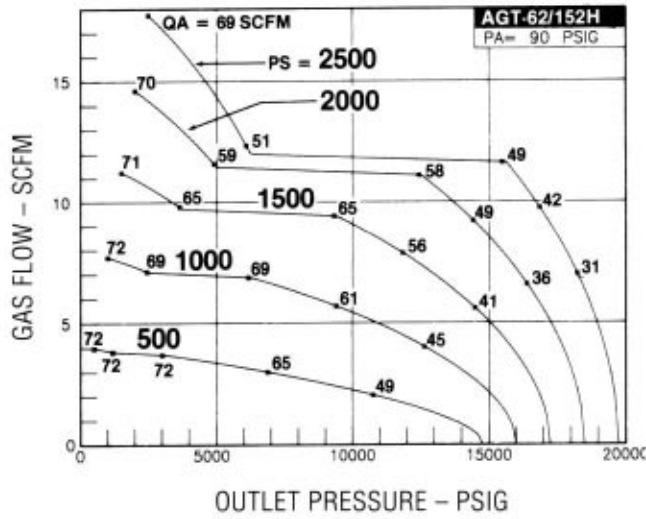
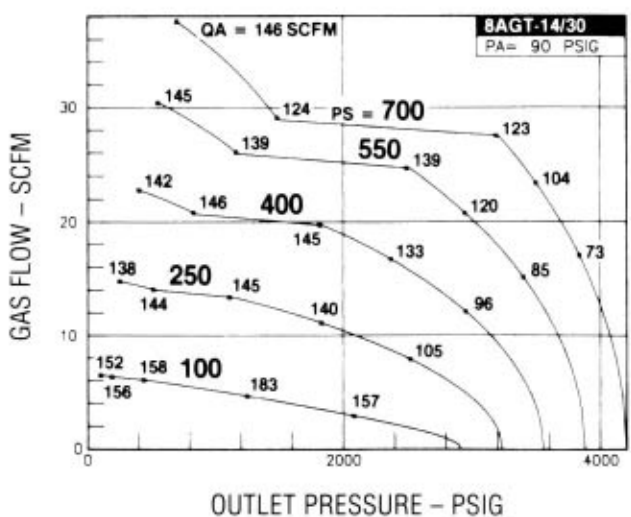
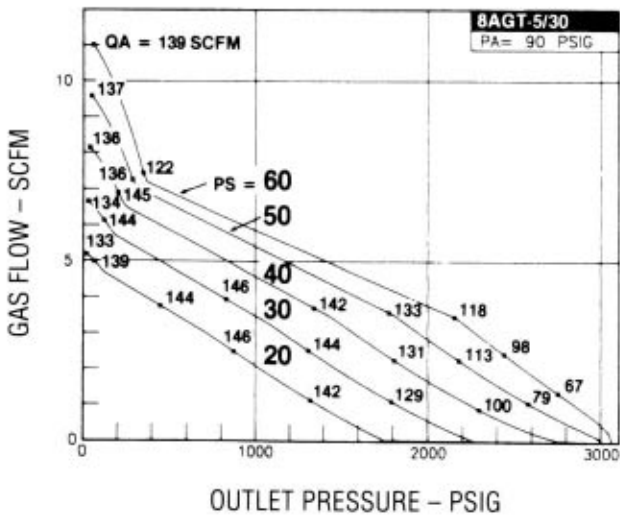
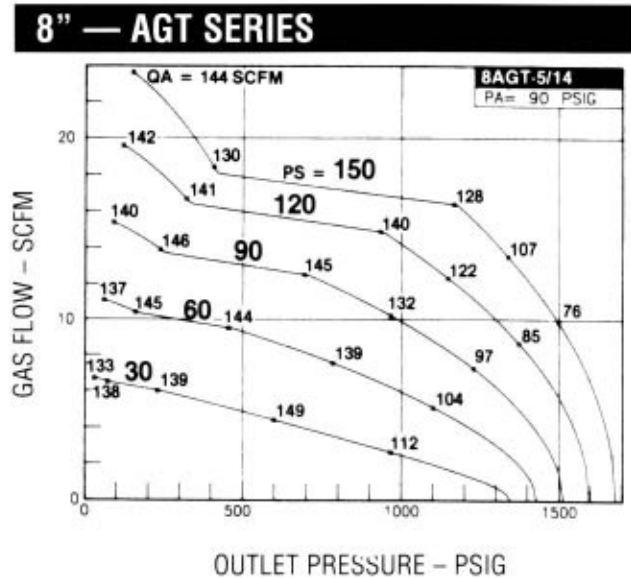
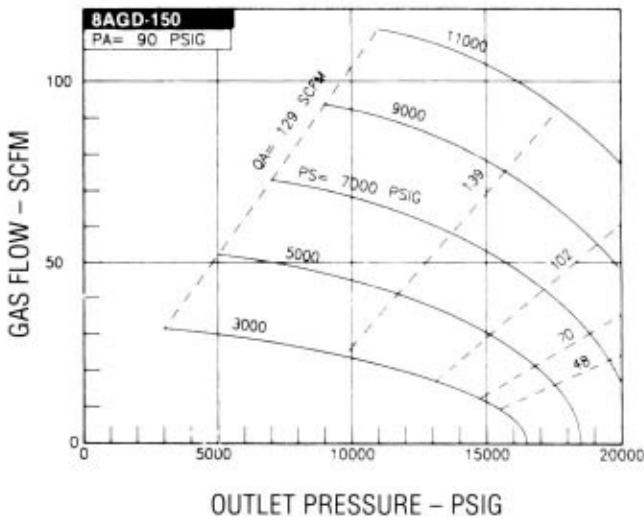
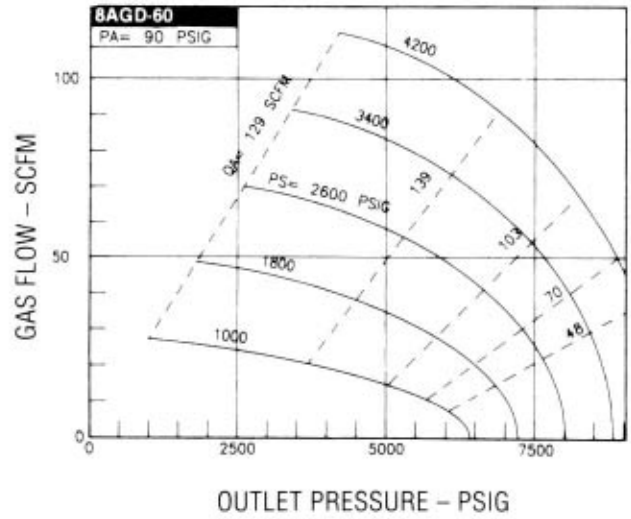
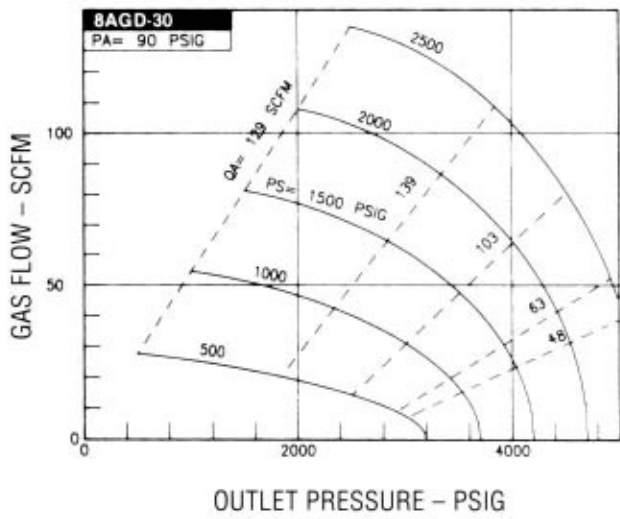


# PERFORMANCE CURVES — AGT SERIES / 8" AGD SERIES

## 8" SERIES — AGD BOOSTER



# PERFORMANCE CURVES — 8" AGD SERIES / 8" AGT SERIES

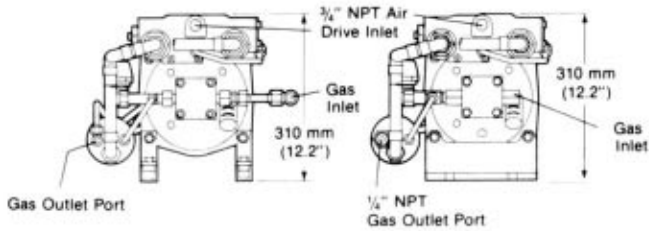


# WEIGHT and DIMENSIONAL INFORMATION

## 8" SERIES GAS BOOSTERS

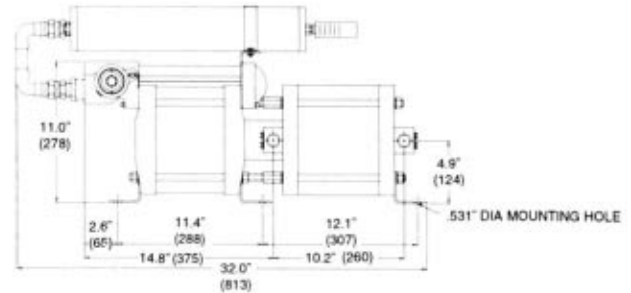
MAXIMUM AIR/GAS DRIVE PRESSURE FOR ALL 8" HASKEL GAS BOOSTER COMPRESSORS IS 8.96 bar (130 psi).

### Typical End Elevations



### Double acting, single stage, single air head 8AGD-1

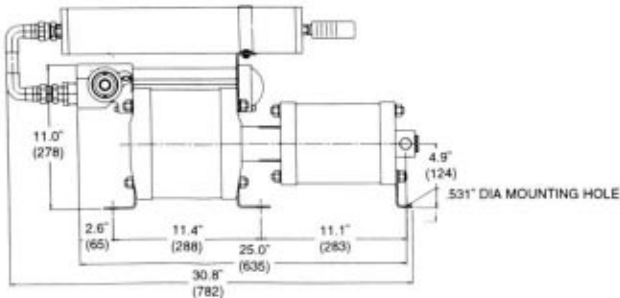
Net weight 55 Kg  
Boxed weight 60 Kg  
Box dimensions 100 x 60 x 40 cm



Inlet Gas Port: 3/4" NPT (2 ea.)  
Outlet Gas Port: 3/4" NPT (2 ea.)

### Double acting, single stage, single air head 8AGD-2

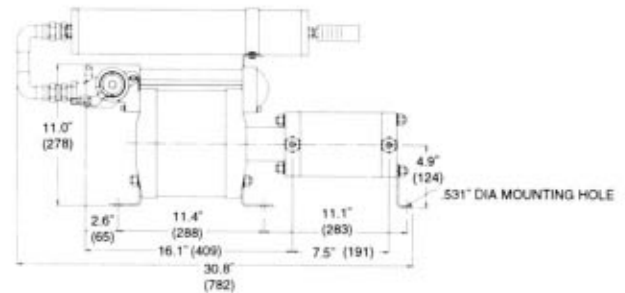
Net weight 55 Kg  
Boxed weight 60 Kg  
Box dimensions 100 x 60 x 40 cm



Inlet Gas Port: 3/4" NPT (2 ea.)  
Outlet Gas Port: 3/4" NPT (2 ea.)

### Double acting, single stage, single air head 8AGD-2.8

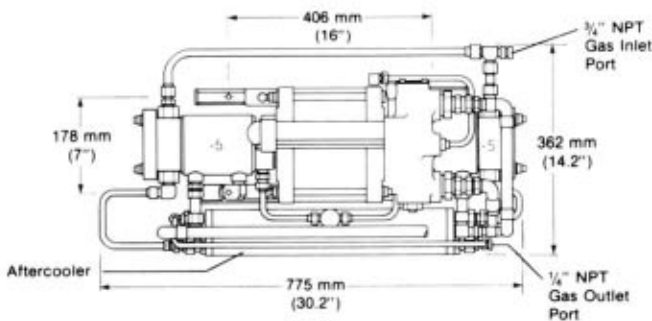
Net weight 55 Kg  
Boxed weight 60 Kg  
Box dimensions 100 x 60 x 40 cm



Inlet Gas Port: 1/2" NPT (2 ea.)  
Outlet Gas Port: 1/2" NPT (2 ea.)

### Double acting, single stage, single air head 8AGD-5

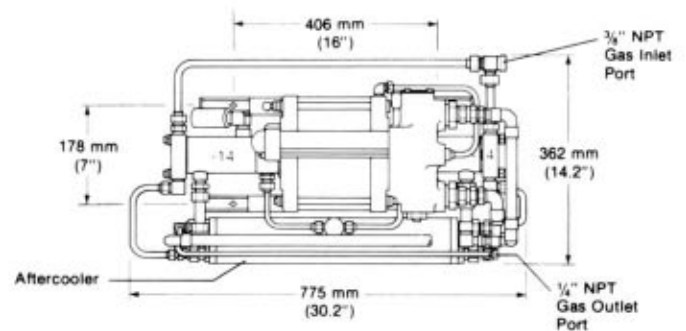
Net weight 54.5 Kg  
Boxed weight 61.5 Kg  
Box dimensions 91.5 x 51 x 40 cm



Inlet Gas Port: 3/4" NPT  
Outlet Gas Port: 1/4" NPT

### Double acting, single stage, single air head 8AGD-14

Net weight 54.5 Kg  
Boxed weight 61.5 Kg  
Box dimensions 91.5 x 51 x 40 cm

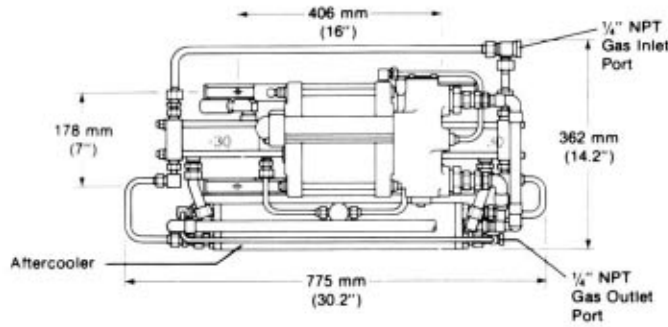


Inlet Gas Port: 3/8" NPT  
Outlet Gas Port: 1/4" NPT

# WEIGHT and DIMENSIONAL INFORMATION

**Double acting, single stage,  
single air head 8AGD-30**

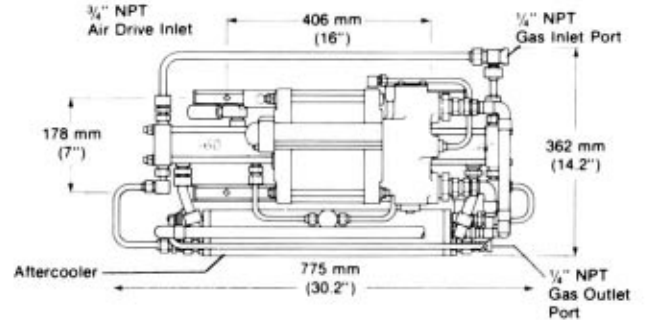
Net weight 54.5 Kg  
Boxed weight 61.5 Kg  
Box dimensions 91.5 x 51 x 40 cm



Inlet Gas Port: 1/4" NPT  
Outlet Gas Port: 1/4" NPT

**Double acting, single stage,  
single air head 8AGD-60**

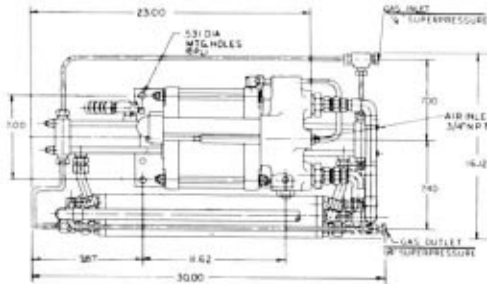
Net weight 54.5 Kg  
Boxed weight 61.5 Kg  
Box dimensions 91.5 x 51 x 40 cm



Inlet Gas Port: 1/4" NPT  
Outlet Gas Port: 1/4" Superpressure

**Double acting, single stage,  
single air head 8AGD-150**

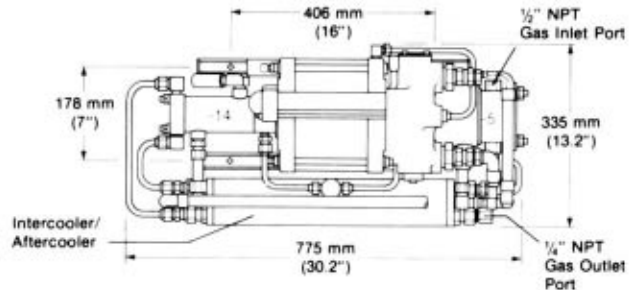
Net weight 54.5 Kg  
Boxed weight 61.5 Kg  
Box dimensions 91.5 x 51 x 40 cm



Inlet/Outlet Gas Ports: 1/4" Superpressure

**Double acting, two stage,  
single air head 8AGT-5/14**

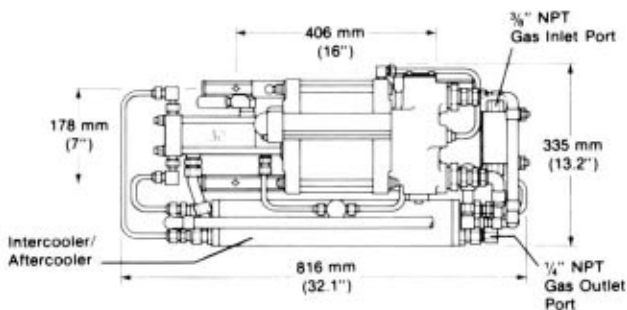
Net weight 54.5 Kg  
Boxed weight 61.5 Kg  
Box dimensions 91.5 x 51 x 40 cm



Inlet Gas Port: 1/2" NPT  
Outlet Gas Port: 1/4" NPT

**Double acting, two stage,  
single air head 8AGT-5/30**

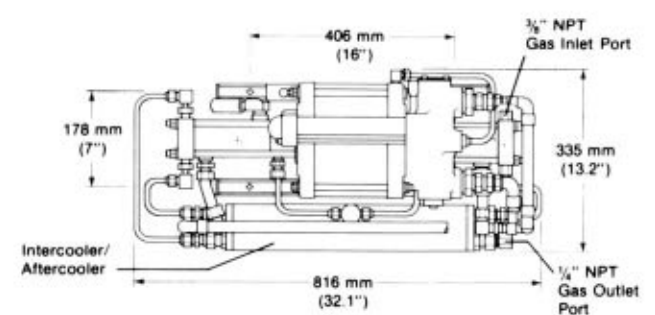
Net weight 54.5 Kg  
Boxed weight 61.5 Kg  
Box dimensions 91.5 x 51 x 40 cm



Inlet Gas Port: 3/8" NPT  
Outlet Gas Port: 1/4" NPT

**Double acting, two stage,  
single air head 8AGT-14/30**

Net weight 54.5 Kg  
Boxed weight 61.5 Kg  
Box dimensions 91.5 x 51 x 40 cm



Inlet Gas Port: 3/8" NPT  
Outlet Gas Port: 1/4" NPT