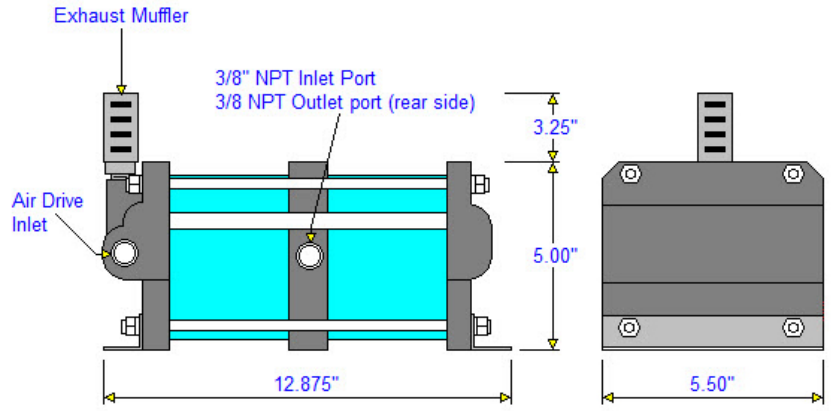
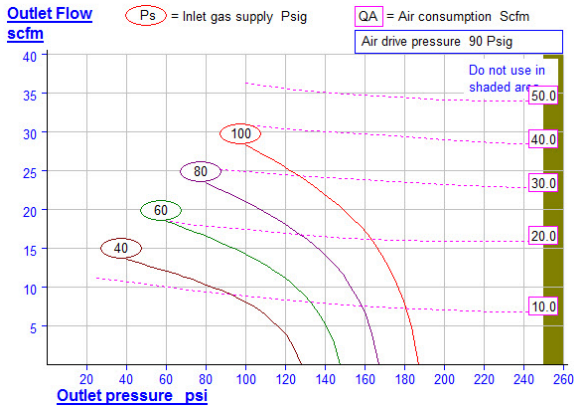
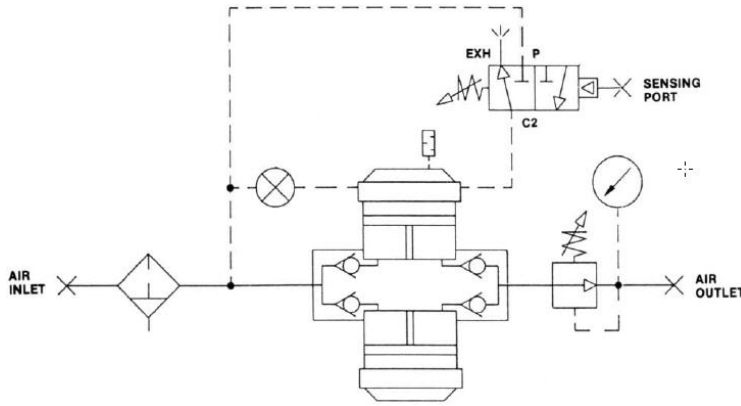


# 4AAD-2 Series Double Acting, Single Stage

## Performance



## Model 56569 Modification Schematic



### Optional Modifications

Number	Description
-C	Air Controls
56594	External Pilot
56569	No Load Run Away & Regulator
56564	Extreme Service Cycling
56570	Receiver & Controls

## Model 56570

4" system on 5 3/4 gal., 290 psi ASME code receiver with controls and ASME relief valve

