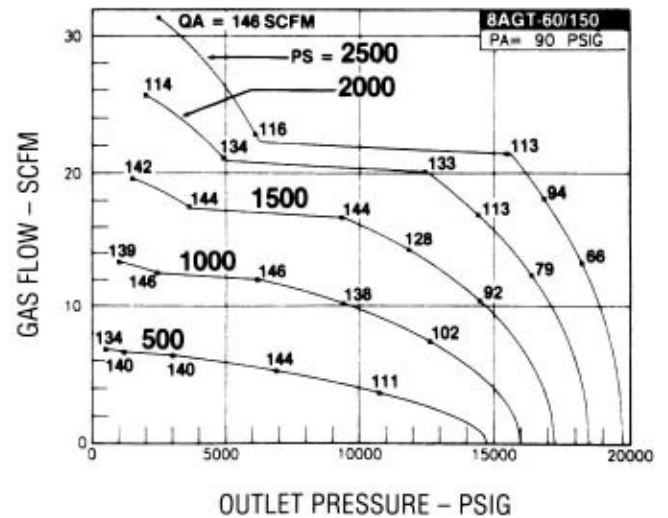
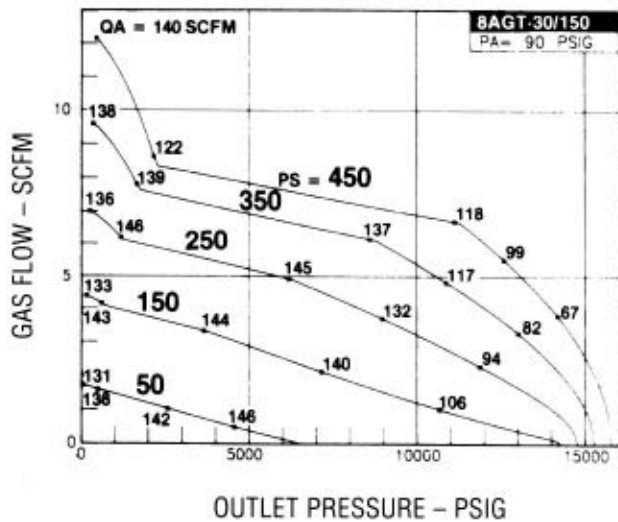
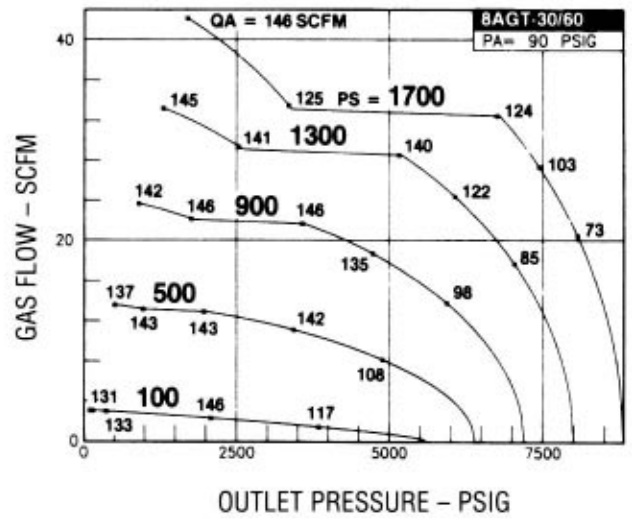
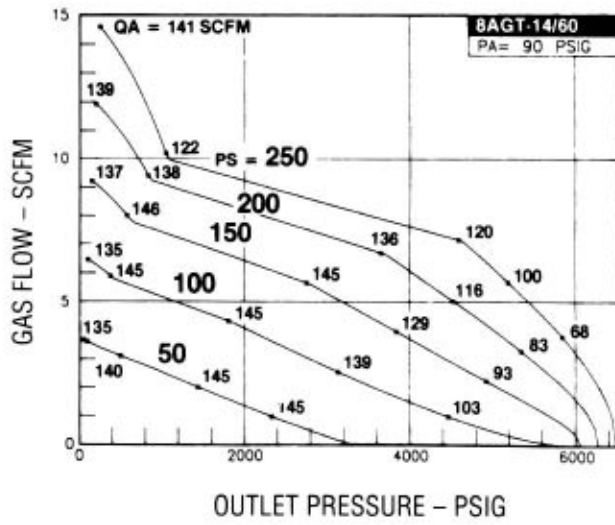
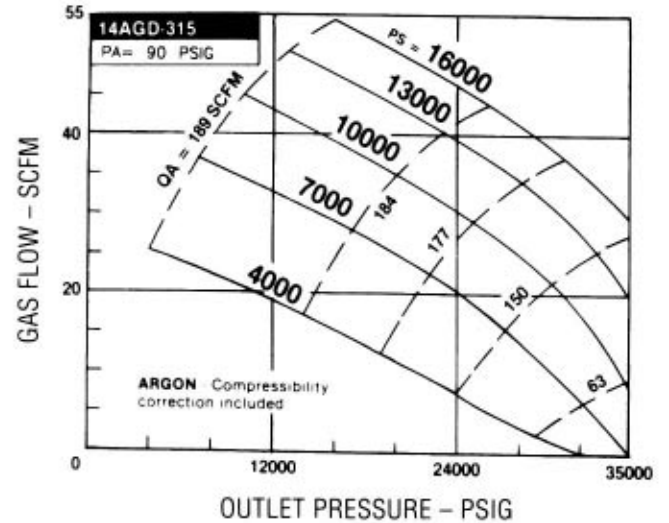
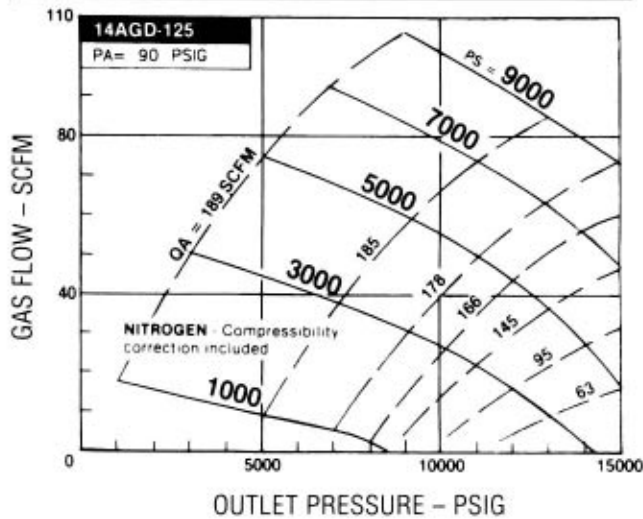


# PERFORMANCE CURVES — 8" AGT SERIES / 14" AGD SERIES

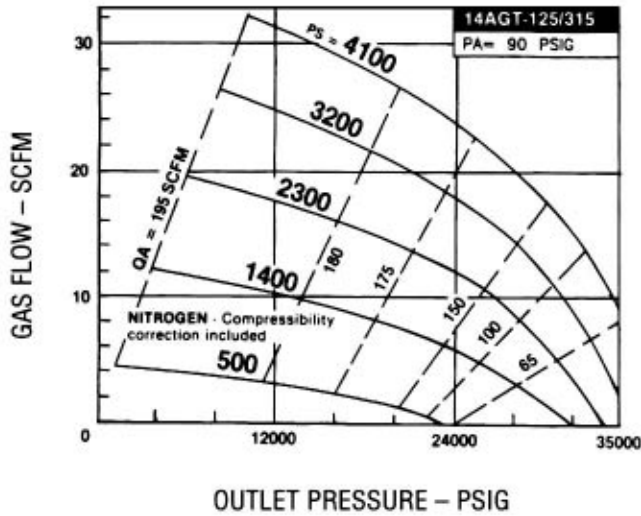


## 14" — AGD SERIES



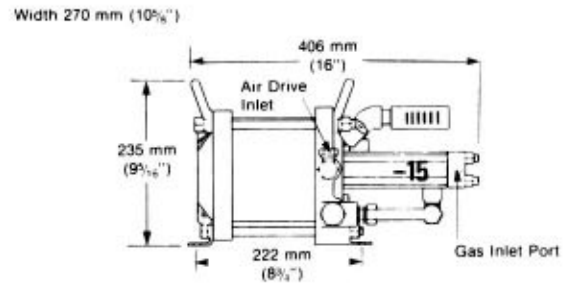
# PERFORMANCE CURVES / WEIGHT and DIMENSIONAL INFORMATION

## 14" — AGT SERIES



**Single acting, single stage,  
single air head AG-15**

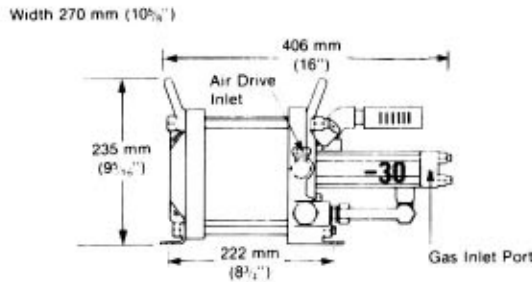
Net weight 11 Kg  
Boxed weight 13 Kg  
Box dimensions 51 x 39 x 39 cm



Inlet/Outlet Gas Ports: Interchangeable 3/8" SAE or 1/4" Superpressure

**Single acting, single stage,  
single air head AG-30**

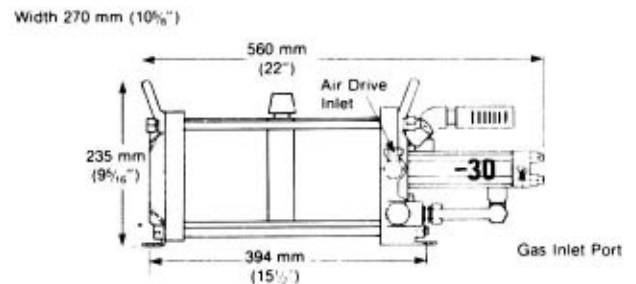
Net weight 12 Kg  
Boxed weight 13 Kg  
Box dimensions 44 x 37 x 33 cm



Inlet/Outlet Gas Ports: Interchangeable 3/8" SAE or 1/4" Superpressure

**Single acting, single stage,  
double air head AG-62**

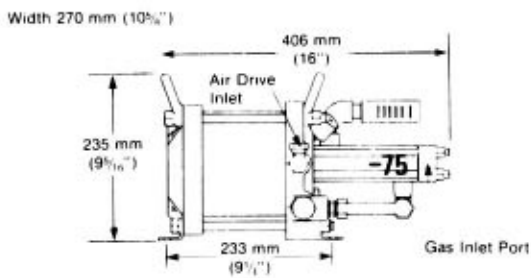
Net weight 15 Kg  
Boxed weight 18 Kg  
Box dimensions 67 x 42 x 49 cm



Inlet/Outlet Gas Ports: Interchangeable 3/8" SAE or 1/4" Superpressure

**Single acting, single stage,  
single air head AG-75**

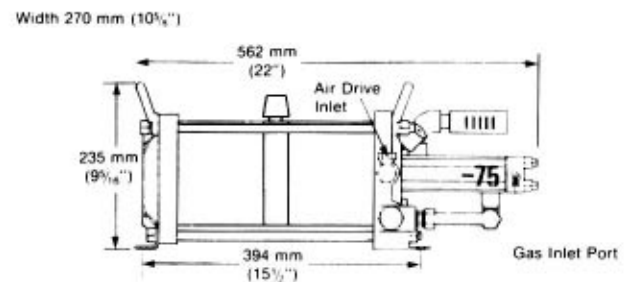
Net weight 12 Kg  
Boxed weight 14 Kg  
Box dimensions 51 x 39 x 40 cm



Inlet/Outlet Gas Ports: Interchangeable 3/8" SAE or 1/4" Superpressure

**Single acting, single stage,  
double air head AG-152**

Net weight 15 Kg  
Boxed weight 18 Kg  
Box dimensions 66 x 41 x 50 cm

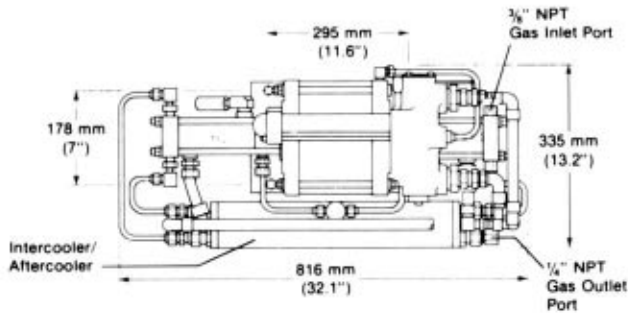


Inlet Gas Port: Interchangeable 3/8" SAE or 1/4" Superpressure  
Outlet Gas Port: 1/4" Superpressure

# WEIGHT and DIMENSIONAL INFORMATION

**Double acting, two stage,  
single air head 8AGT-14/60**

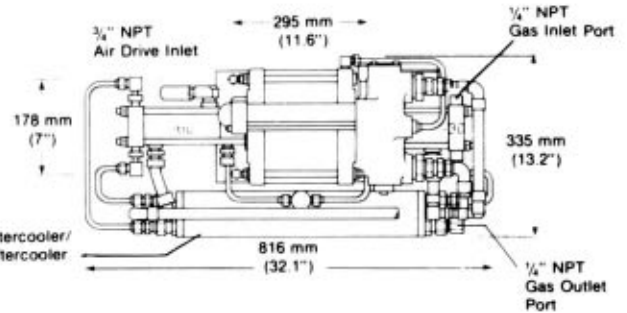
Net weight 54.5 Kg  
Boxed weight 61.5 Kg  
Box dimensions 91.5 x 51 x 40 cm



Inlet Gas Port: 3/8" NPT  
Outlet Gas Port: 1/4" Superpressure

**Double acting, two stage,  
single air head 8AGT-30/60**

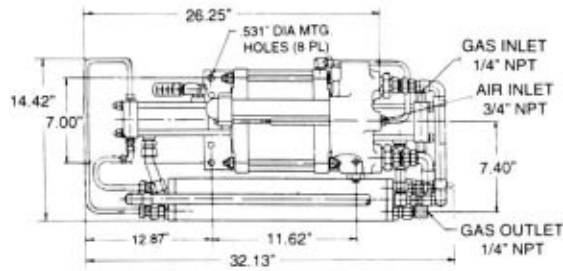
Net weight 54.5 Kg  
Boxed weight 61.5 Kg  
Box dimensions 91.5 x 51 x 40 cm



Inlet Gas Port: 1/4" NPT  
Outlet Gas Port: 1/4" Superpressure

**Double acting, two stage,  
single air head 8AGT-30/150**

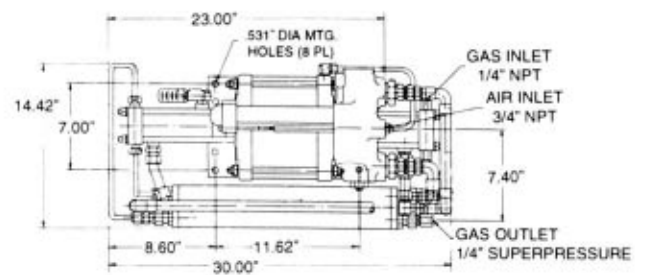
Net weight 54.5 Kg  
Boxed weight 61.5 Kg  
Box dimensions 91.5 x 51 x 40 cm



Inlet Gas Port: 1/4" NPT  
Outlet Gas Port: 1/4" Superpressure

**Double acting, two stage,  
single air head 8AGT-60/150**

Net weight 54.5 Kg  
Boxed weight 61.5 Kg  
Box dimensions 91.5 x 51 x 40 cm

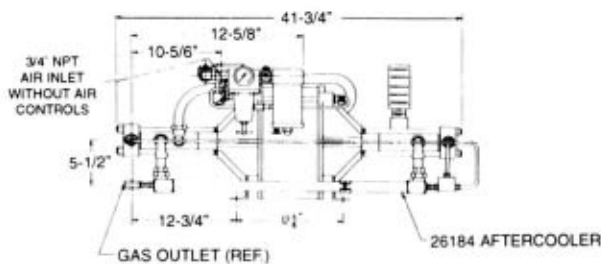


Inlet Gas Port: 1/4" NPT  
Outlet Gas Port: 1/4" Superpressure

## 14" SERIES GAS BOOSTERS

**Double acting, single stage,  
single air head 14AGD-125/315**

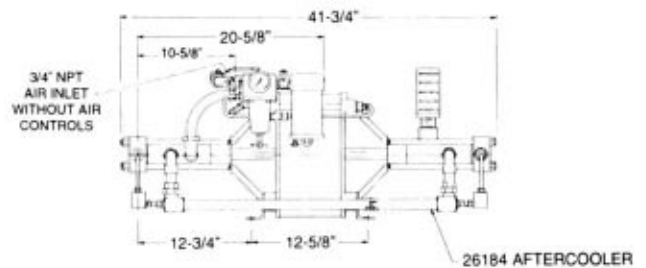
Net weight 70 Kg  
Boxed weight 90 Kg  
Box dimensions 120 x 86 x 70 cm



Inlet/Outlet Gas Ports: 3/8" Superpressure

**Double acting, two stage,  
single air head 14AGT-125/315**

Net weight 70 Kg  
Boxed weight 90 Kg  
Box dimensions 120 x 86 x 70 cm



Inlet/Outlet Gas Ports: 3/8" Superpressure